

# TSHD JOSEF MÖBIUS



<b>Name</b>	<b>"MS 9" JOSEF MÖBIUS</b>	<b>Main dimensions</b>	
Type	TSHD	LOA/ dredge equipment	117.5 m
Call sign	DPWT	Lpp	105.0 m
	MMSI : 211 38 5930	Breadth	19.0 m
	IMO : 736 0162	Depth	9.0 m
Dumping system	22 hydraulic-operated bottom doors	Draught international	7.0 m
Building yard	Dubigeon-Nantes	national	8.0 m
Owner	France Josef Möbius Bau-Aktiengesellschaft Hamburg	<b>Machinery and power</b>	
Year of construction	1974 / 1995	Total installed diesel capacity	11 622 kW
Conversion	2007	Propulsion dredging	2 x 2 400 kW
Class.society	Germanischer Lloyd	Propulsion free sailing	4 800 kW
Notation	+ 100 A5 Suction Dredger + MC	Bow thruster	600 kW
Flag	Germany	Pump capacity	2 x 1 300 kW
Home port	Hamburg	Jet pumps	2 x 700 kW
Registration	SSR 19454	Bunker	MGO
Gross tonnage	5 939 BRZ	Speed loaded	13.5 kn
Net tonnage	1 781 NRZ	Speed unloaded	15.0 kn
Light ship	4 610 t	2 suction pipes, diameter	900 mm
Deadweight	8 283 t	1 discharge pipe, diameter	800 mm
Dredging depth	35 m	Hopper capacity top coaming	5 765 m <sup>3</sup>
Air draught	36 m	Hopper capacity top overflow	5 500 m <sup>3</sup>
		Installations for rainbowing and degassing	



**Josef Möbius Bau-Aktiengesellschaft**  
 Postbox 53 01 40 - 22531 Hamburg, Germany  
 Brandstücken 18 - 22549 Hamburg, Germany  
 Phone + 49 40 8 00 90 3-0  
 Fax + 49 40 8 00 48 10

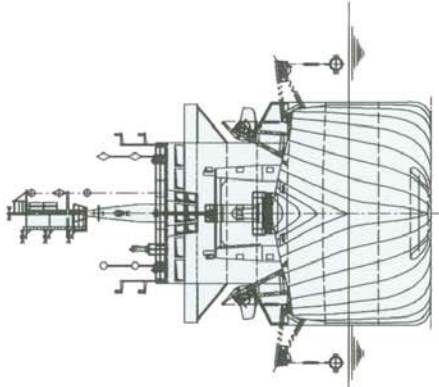
gf.moebius@moebiusbau.de  
 www.moebiusbau.de

**MÖBIUS**

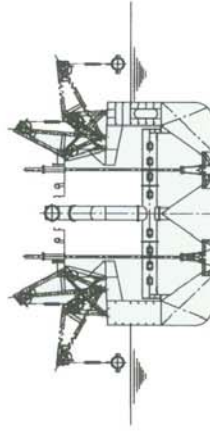
Data sheet No. 49-2002  
 Produced ©by moebiusbau  
 (update: 27.02.08 Anja Diehl)

# Trailing Suction Hopper Dredger

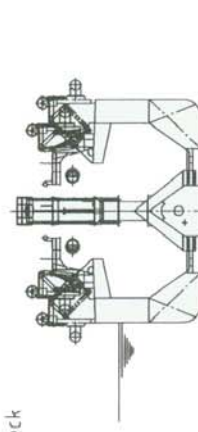
5500 m<sup>3</sup>



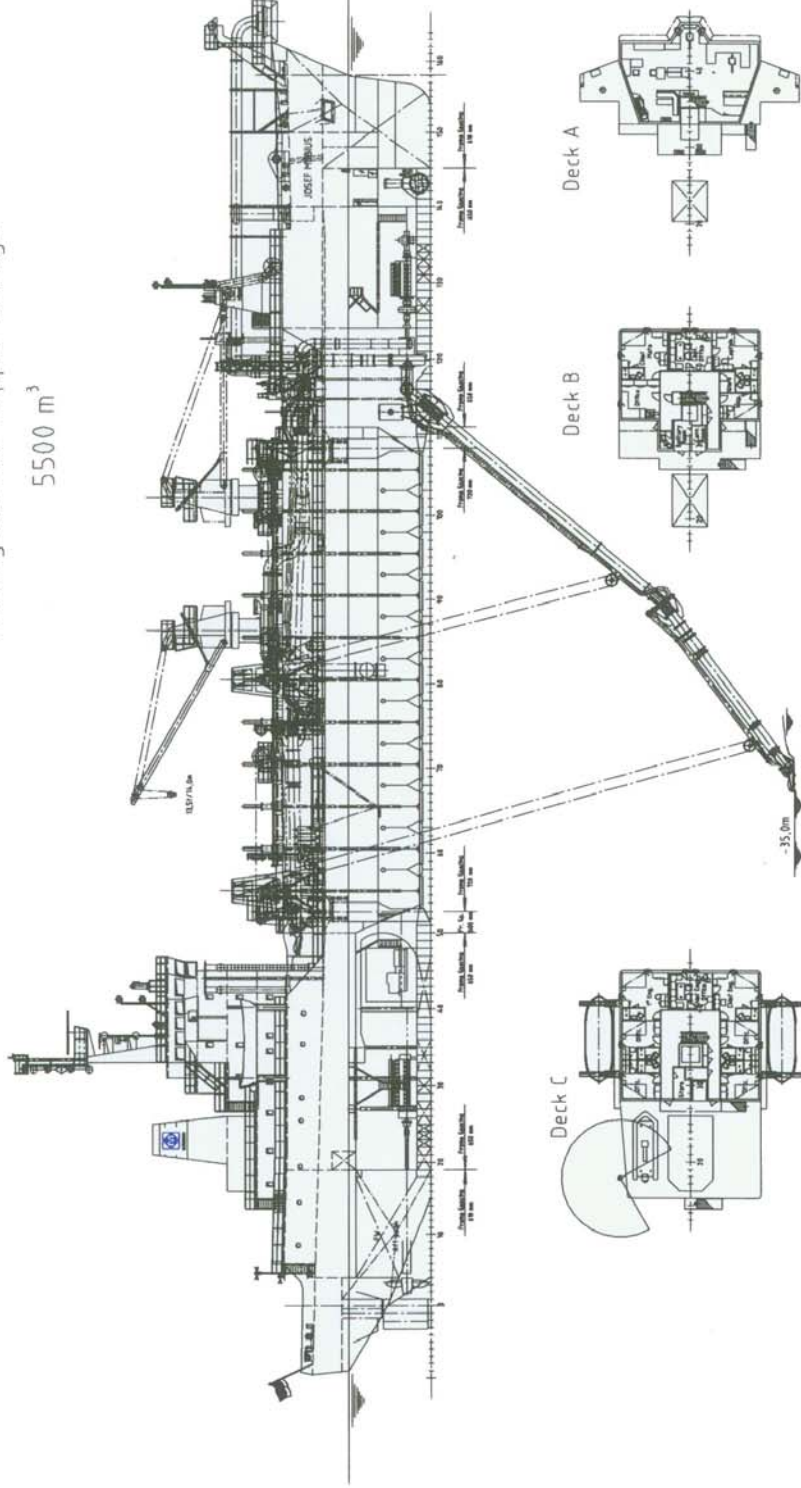
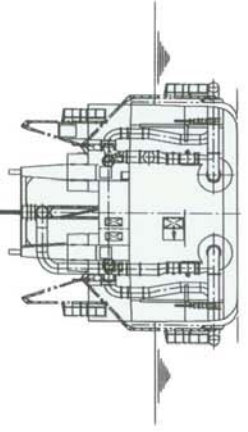
Section Fr. 80



Section Fr. 104



Section Fr. 118



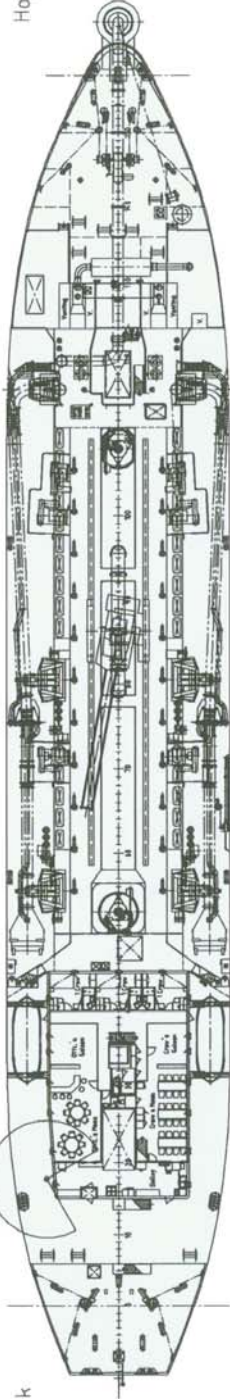
Deck A

Deck B

Deck C

Hopper Deck  
Deck D

Bottom



Hopper Deck  
Deck D

Bottom

